



INNOBIZ

PCT  
US PAT



# PERFECT CASTER & PLATFORM TRUCK

**NO rust, no need to change casters every 6 months!!**  
**NO problem in working even at -30°C in the freezer (We tested at -30°C)**

- Light and durable structure
- Static electricity protection
- Lock system / noiseless
- Patent korea, USA, Japan and China
- Polyamide Injection molding products
- Double brake system
- Durable king pin structure
- Operation is very easy



**HWA SUNG INDUSTRIAL CO.,LTD.**  
Unique static Electricity Protection Caster In the World



**N S F**  
Food Processing  
Machinery



## **OUR CASTERS ARE TOUGH, RUST PROOF, AND LONG LASTING. WORKS WELL BELOW FREEZING -30°C**

Our latest casters are so tough it can withstand almost anything!

Rust proof even in salty environment.

Specially developed material called Nylon 6 for use in low temperatures.

High temperature 300°C, Low Temp: -30°C (Our new line)

Very quiet.

Free maintenance.

Very strong resistance to chemicals & grease.

NSF mark ensures that this is a certified product.

Very reliable, lasts for years.

We have from 3 inch to 6 inch.

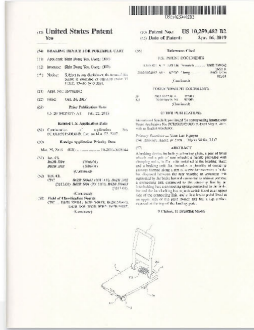
6 inch load capa / pc 650LBS, 5 inch:450LBS

4 inch:350LBS, 3 inch:150LBS



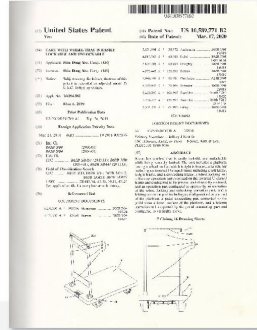
# OVERSEAS PATENT

## US PATENT



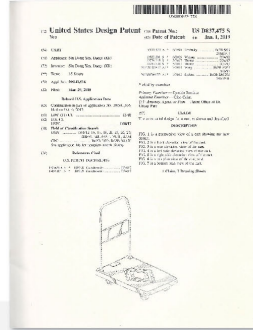
Portable cart braking system

US 10,259,482 B2



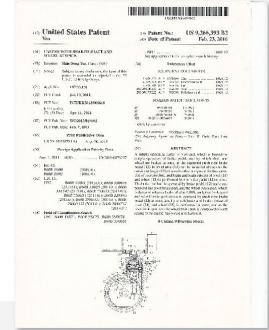
Carts with wheels that you can easily lock and untie

US 10,589,771 B2



Cart

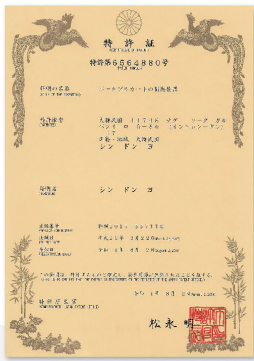
US D837,475 S



Caster with a brake and wheels

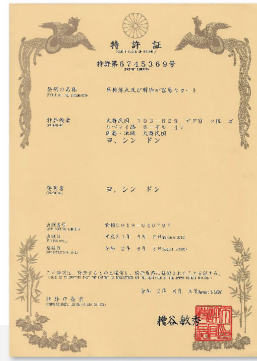
US 9,266,393 B2

## JAPAN PATENT



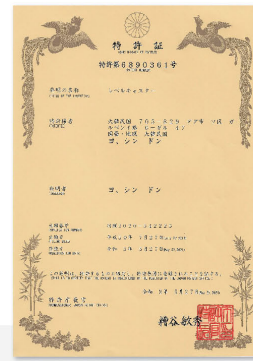
Portable cart brake

6564880



Cart that's easy to lock and unlock

6745369



Level caster

6890361



Caster where the shaft and wheel are simultaneously braked

5932034

<p>  Patent Level Caster 10-1882626 (2018.07.20. ~ 2037.11.16)</p>	<p>  Design Caster 30-0661613 (2012.09.24.~2032.09.23)</p>	<p>  USA Patent Braking device for portable cart US 10,259,482,B2 (2019.04.16.~2039.04.16)</p>
<p>  Patent It's easy to lock and unlock wheels 10-1899755 (2018.09.11. ~ 2038.03.21)</p>	<p>  Design Hand cart 30-0921656 (2018.08.03.~2038.08.02)</p>	<p>  USA Design Cart US D837,475,S (2019.01.01.~2038.12.31)</p>
<p>  Patent Carts to carry items 10-2158423 (2020.09.15 ~ 2039.01.23)</p>	<p>  USA Patent Cart with wheel, that is easily lockable and unlockable US 10,589,771,B2 (2019.03.17~2039.03.16)</p>	<p>  Chinese patent 手推车 (cart) ZL20150300392121.0 (2016.3.2.~2036.03.01)</p>
<p>  Japan Patent ポータブルカートの制動装置 6564880 (2019.08.02.~2039.08.01)</p>	<p>  Japan Patent 車輪系止及び解除が容易なカート (Cart that's easy to stop and release the wheel) 6745369 (2020.08.05.~2040.08.04)</p>	
<p>  Japan Patent レベルキャスタ (Leveling Caster) 6890361 (2021.05.27.~2041.05.27)</p>	<p>  Japan Patent 軸とホイールが同時に制動されるキャスタ (Caster where the shaft and wheel are simultaneously braked) 5932034 (2016.05.13.~2036.05.12)</p>	

# SHW Series Specification

SHW / SHW-N

SHW  
NSF



SHW-N  
NSF



## SHW Specification (with brake) / SHW-N Specification (no brake)

Model NO.	Caster specification		Wheel specification			
	Diameter (In.)	Total height (In./mm)	Wheel width (In./mm)	Wheel size (In./mm)	Load capacity (Lbs./kg)	Bolt thickness (In.)
SHW-6 / SHW-N6	6	8 / 204	2 / 50	6 / 150	650 / 300	5/8 or M12
SHW-5 / SHW-N5	5	7 / 178	2 / 45	5 / 125	450 / 200	
SHW-4 / SHW-N4	4	6 / 147	1.5 / 37	4 / 100	350 / 150	
SHW-3 / SHW-N3	3	5 / 124	1 / 32	3 / 75	150 / 70	



Low noise



Water proof  
(It doesn't rust)



Eco-friendly



# SHS Series Specification

SHS / SHS-N / SHS-R



## ● SHS Series Specification

Model NO.	Caster specification		Wheel specification			
	Diameter (In.)	Total height (In./mm)	Wheel width (In./mm)	Wheel size (In./mm)	Load capacity (Lbs./kg)	Bolt hole space (In.)
SHS-6 / SHS-N6 / SHS-R6	6	8 / 204	2 / 50	6 / 150	650 / 300	3.35~3 × 3~2.56
SHS-5 / SHS-N5 / SHS-R5	5	7 / 178	2 / 45	5 / 125	450 / 200	
SHS-4 / SHS-N4 / SHS-R4	4	6 / 147	1.5 / 37	4 / 100	350 / 150	1.85~1.65 × 3.15~2.83
SHS-3 / SHS-N3 / SHS-R3	3	5 / 124	1 / 32	3 / 75	150 / 70	

## ● HWC Series Specification

Model NO.	Image	Caster specification		Wheel specification			Remark (mm)
		Diameter (In.)	Total height (In./mm)	Wheel width (In./mm)	Wheel size (In./mm)	Load capacity (Lbs./kg)	
SHW-B4		4	5 / 128	0.9 / 23	3.9 / 100	130 / 60	
SHW-B3		3	3.7 / 94	0.9 / 23	2.9 / 75	100 / 50	
SHW-P4		4	5 / 128	0.9 / 23	3.9 / 100	130 / 60	
SHW-P3		3	3.7 / 94	0.9 / 23	2.9 / 75	100 / 50	
SHW-I2.5		2.5	3.3 / 85	0.8 / 22	2.5 / 65	60 / 30	
SHW-I2		2	2.7 / 70	0.8 / 22	1.9 / 50	50 / 25	

# LEVELING CASTER (Bolt Type)

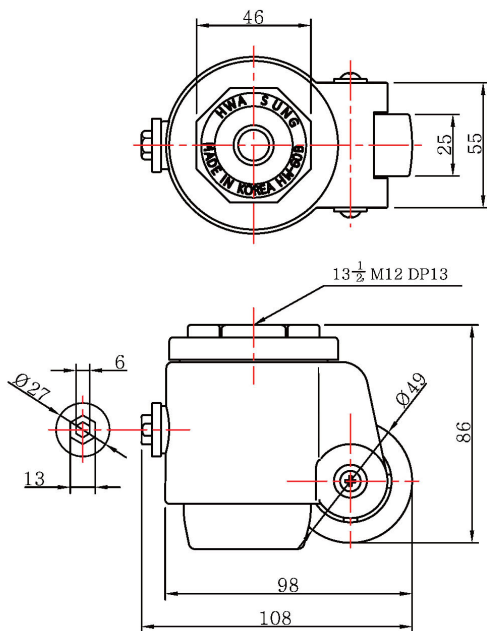
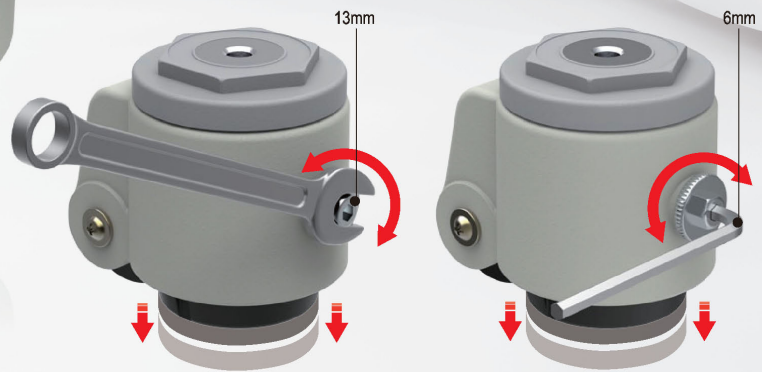
HW-60B / HW-80B



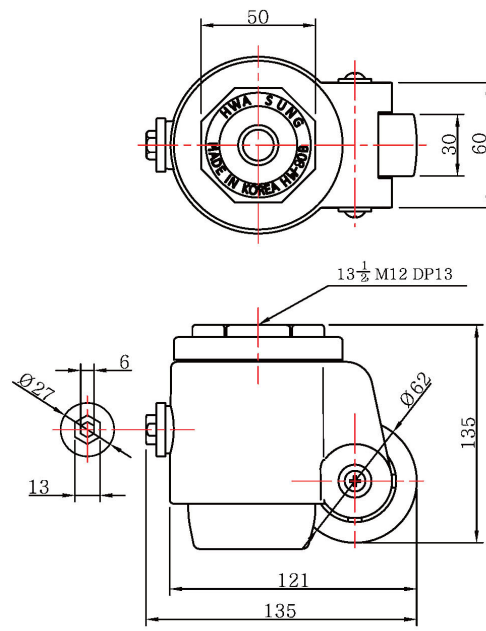
## • Characters

You can adjust the height with a spanner or hex wrench.  
The parts of the caster are full stainless steel.

Bolt Type				
Model NO.	Load capacity	Recommended load capacity	Net weight	Temperature range
HW-60B	500kg/EA	1,000kg/4EA	1.11kg	-10 ~ +80°C
HW-80B	800kg/EA	1,600kg/4EA	2.21kg	-10 ~ +80°C



**HW-60B**



**HW-80B**

# LEVELING CASTER (Plate Type)

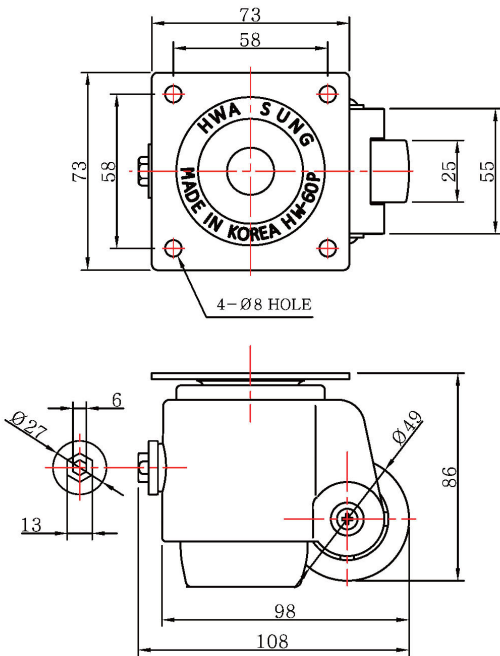
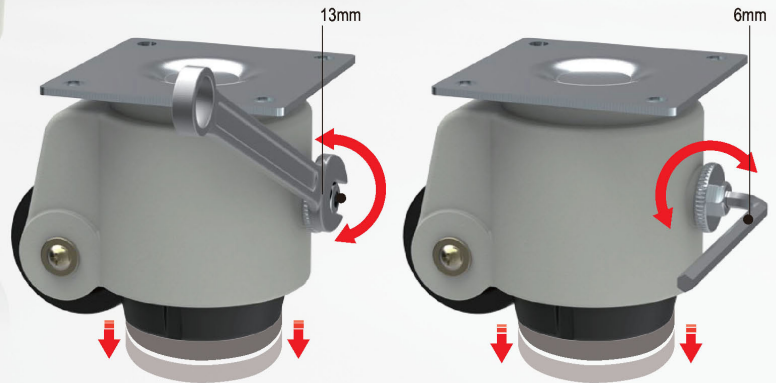
HW-60P / HW-80P



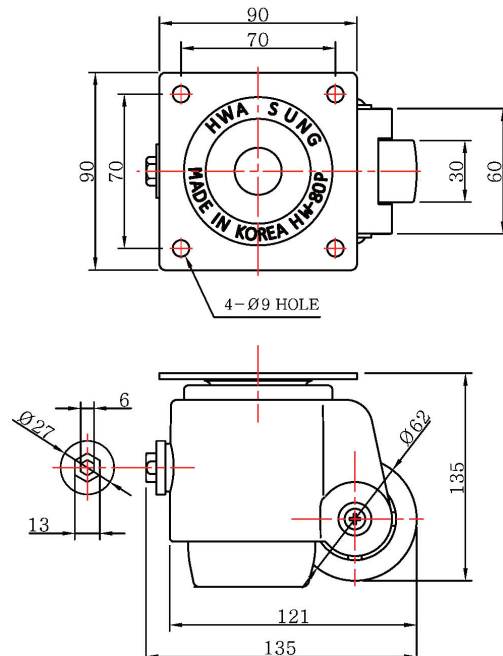
## • Characters

You can adjust the height with a spanner or hex wrench.  
The parts of the caster are full stainless steel.

Plate Type				
Model NO.	Load capacity	Recommended load capacity	Net weight	Temperature range
HW-60P	500kg/EA	1,000kg/4EA	1.11kg	-10 ~ +80°C
HW-80P	800kg/EA	1,600kg/4EA	2.21kg	-10 ~ +80°C



HW-60P



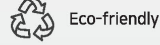
HW-80P

# MARS PLATFORM TRUCK (Foot break)

Model : HA-200 / HWC-300



HA-200

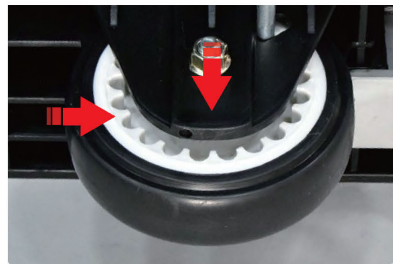


- Noise-free ball bearing type wheels are used!
- It operates at minus -30°F using Fiberglass nylon special materials, and also does not rust and has strong durability!!



HWC-300

Model	Weight (Lbs./kg)	Wheel material	Character	Load capacity (Lbs./kg)	Platform size (In./mm)	Wheel size (In./mm)	Coner wheel size (In./mm)
HA - 200	18.2 (Lbs.) 8.3 (kg)	CO-PP (elastomer)	No-noise, Equipped with the locking device	440 (Lbs.) 200 (kg)	31×19×6 (In.) 790×490×155 (mm)	4 (In.) 100(mm)×4EA	3 (In.) 70(mm)×2EA
HWC - 300	29.3 (Lbs.) 13.3 (kg)	CO-PP (elastomer)	No-noise, Equipped with the locking device	660 (Lbs.) 300 (kg)	35×23×7 (In.) 890×590×180 (mm)	6 (In.) 150(mm)×4EA	3.1 (In.) 80(mm)×2EA



**1** Corner shock protection wheels protect the product against scratches.

**2** There is a brake to prevent slip accidents. It has a gear brake, so it can be clearly controlled.

**3** You can easily fold the handle with a one-touch.



01

If you press it with your foot, it folds and stops!

02

It can be moved smoothly without noise!

03

Excellent ability to absorb shock from combined PP Resin



# MARS PLATFORM TRUCK (Hand break)

Model : HB-200 / HWC-300(H)



**HB-200**



Low noise



Water proof  
(It doesn't rust)



Eco-friendly

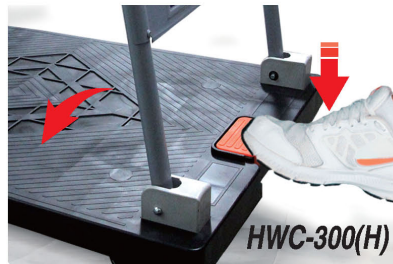
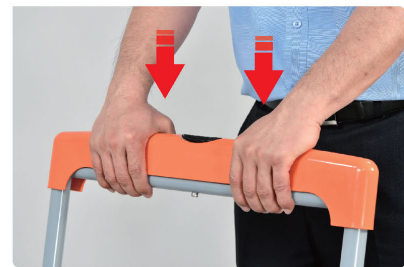
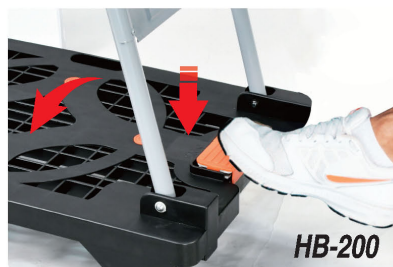


- Noise-free ball bearing type wheels are used!
- It operates at minus -30°F using Fiberglass nylon special materials, and also does not rust and has strong durability!!



**HWC-300(H)**

Model	Weight (Lbs./kg)	Wheel material	Character	Load capacity (Lbs./kg)	Platform size (In./mm)	Wheel size (In./mm)	Coner wheel size (In./mm)
HB - 200	18.7 (Lbs.) 8.5 (kg)	CO-PP (elastomer)	No-noise, Equipped with the locking device	440 (Lbs.) 200 (kg)	31×19×6 (In.) 790×490×155 (mm)	4 (In.) 100(mm)×4EA	3 (In.) 70(mm)×2EA
HWC - 300(H)	29.3 (Lbs.) 13.3 (kg)	CO-PP (elastomer)	No-noise, Equipped with the locking device	660 (Lbs.) 300 (kg)	35×23×7 (In.) 890×590×180 (mm)	6 (In.) 150(mm)×4EA	3.1 (In.) 80(mm)×2EA



**1** Corner shock protection wheels protect the product against scratches.

**2** You can easily fold the handle with a one-touch.

**3** There is a brake to prevent slip accidents.

**4** It is designed with a lock-device gear brake for clear control.

01 Press with your feet to fold and stop with your hands.

02 It can be moved smoothly without noise!

03 Excellent ability to absorb shock from combined PP Resin

HWC-300(H)

HB-200





**HWA SUNG**  
INDUSTRIAL CO., LTD.

**Head Office**

[www.casterhs.com](http://www.casterhs.com)

TEL. 82-53-526-6701 FAX. 82-53-521-2937

E-mail. [hs02938@naver.com](mailto:hs02938@naver.com)

47, Gareubaengi-ro 6-gil, Seo-gu, Daegu, Korea (238-6, Yeehyun-dong)



HWA SUNG  
CASTER